

download



presentation

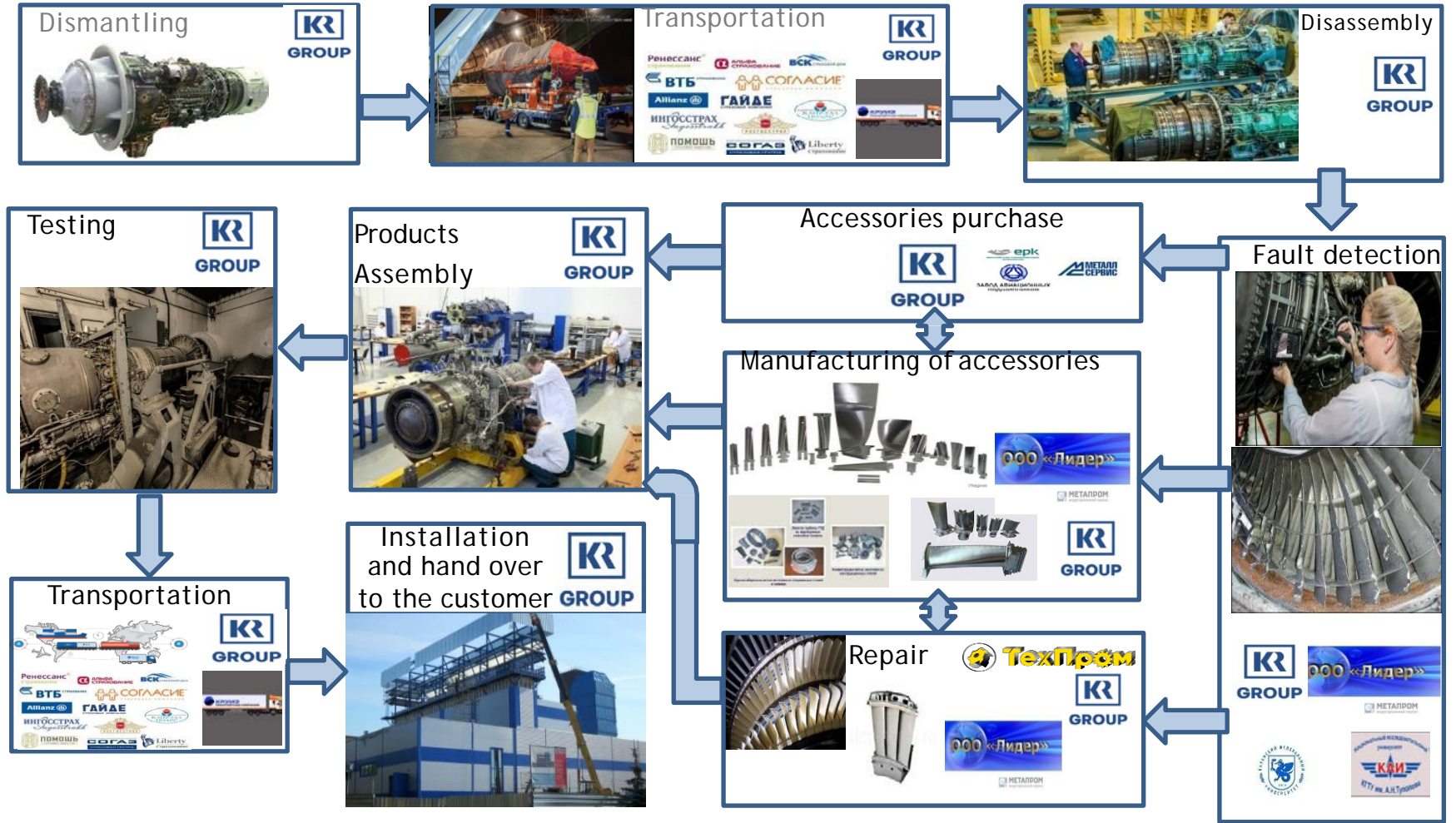


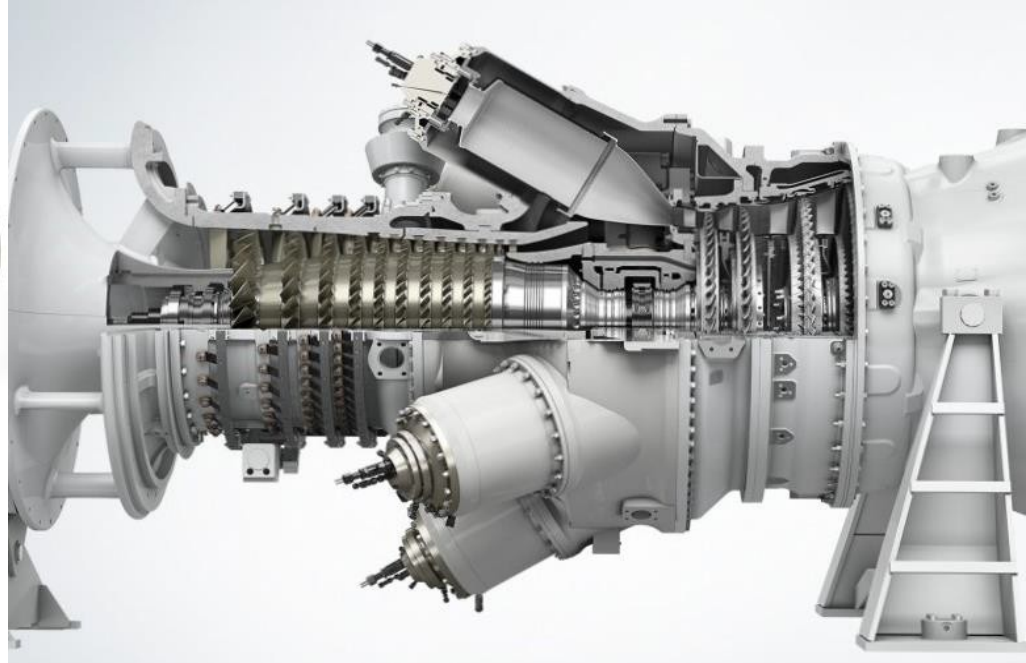
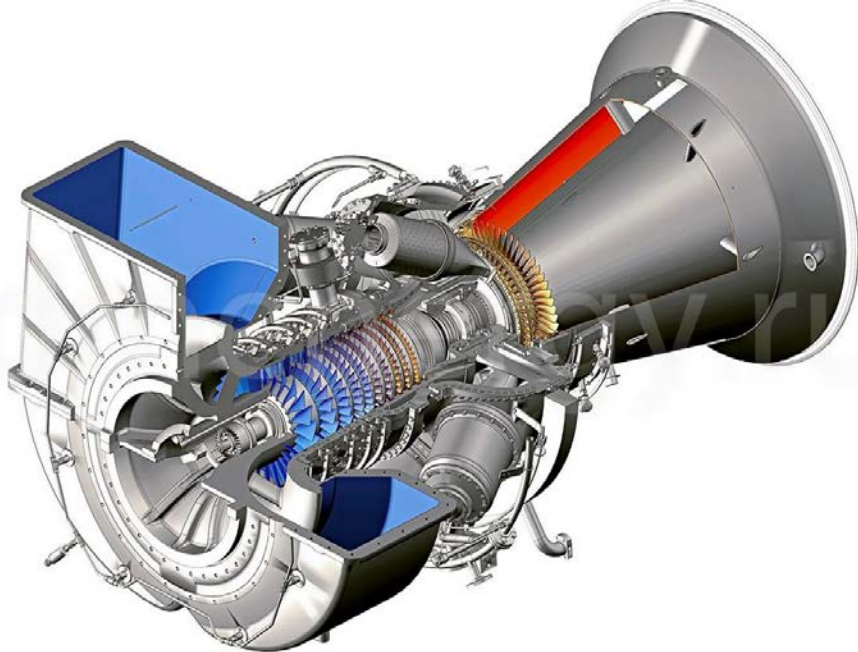
GROUP



OVERHAUL AND MAINTENANCE OF GAS TURBINE EQUIPMENT

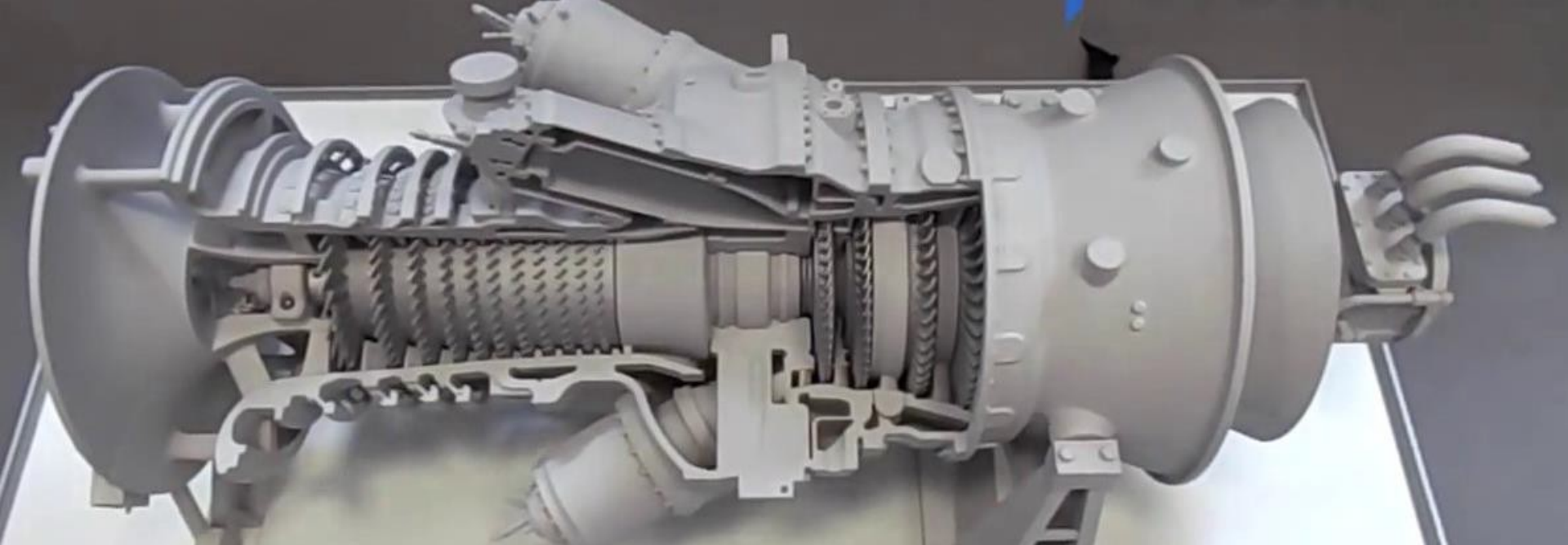
PRODUCTS REPAIR PROCESS IN LLC MC IED-HOLDING





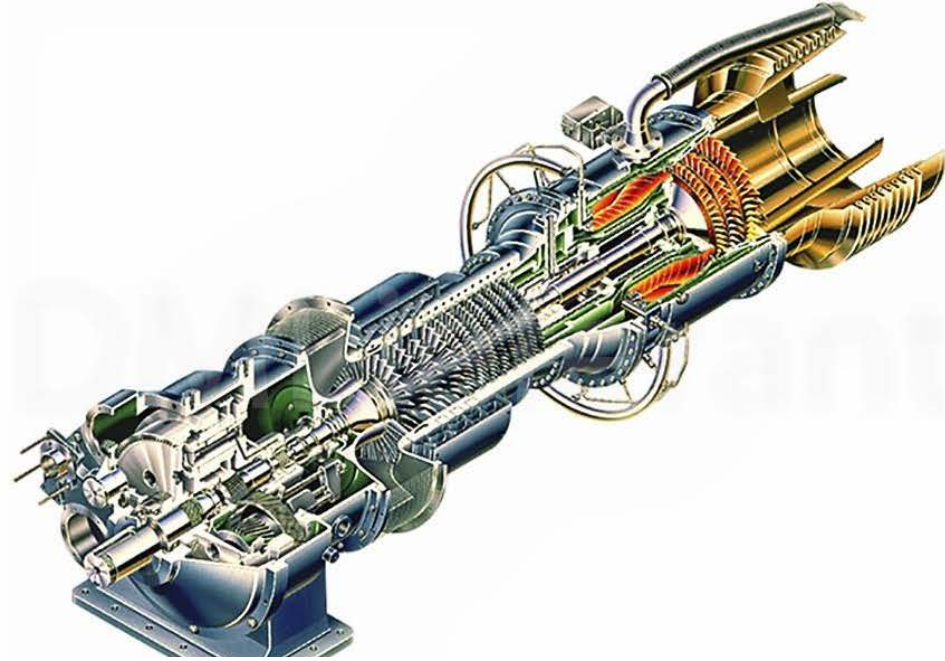
SGT-300

The range of GTE, undergoing repair in LLC MC IED – Holding and promising areas



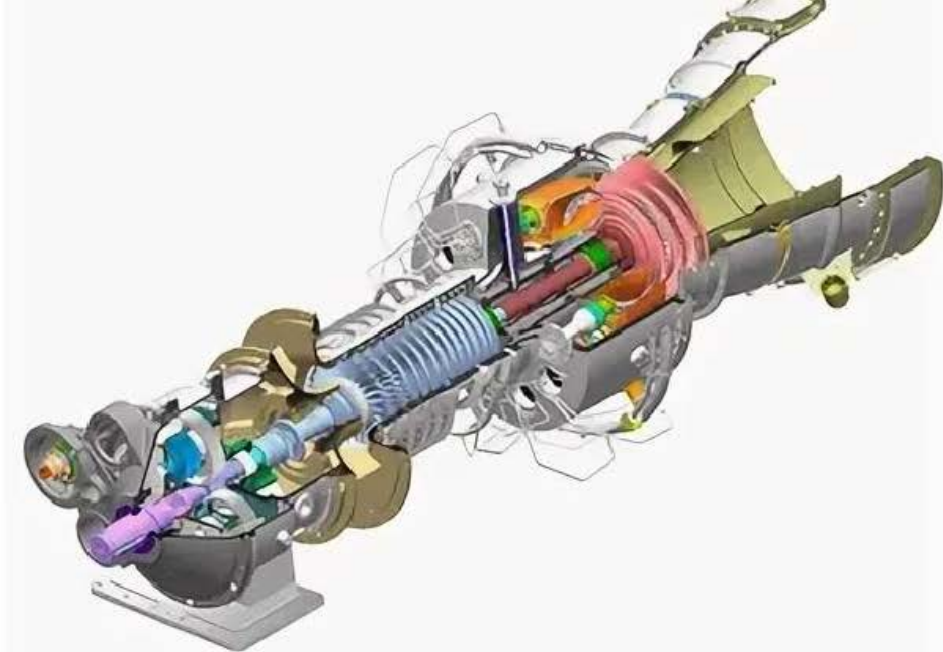
SGT-400

The range of GTE, undergoing repair in LLC MC IED – Holding and promising areas



TAURUS-60

The range of GTE, undergoing repair in LLC MC IED – Holding and promising areas



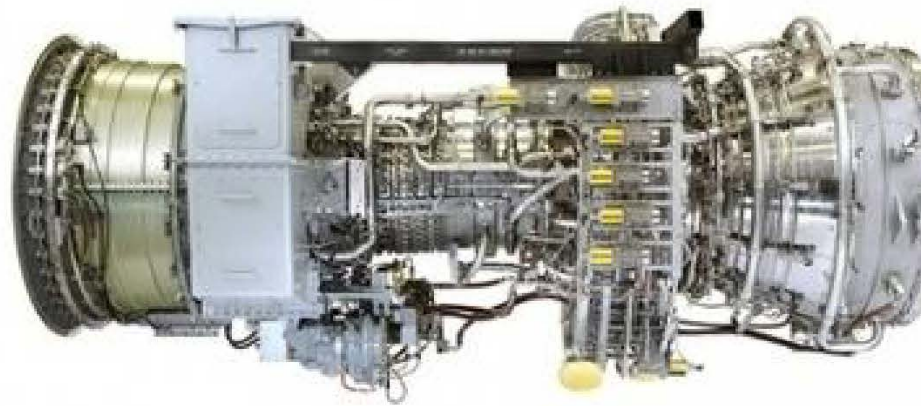
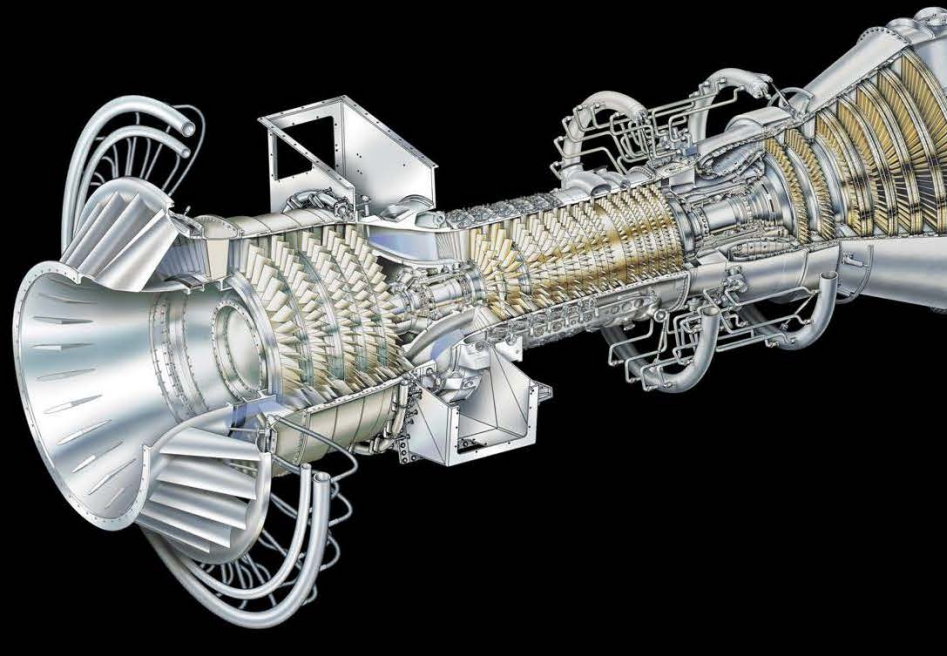
TAURUS-70

The range of GTE, undergoing repair in LLC MC IED – Holding and promising areas



TITAN-130

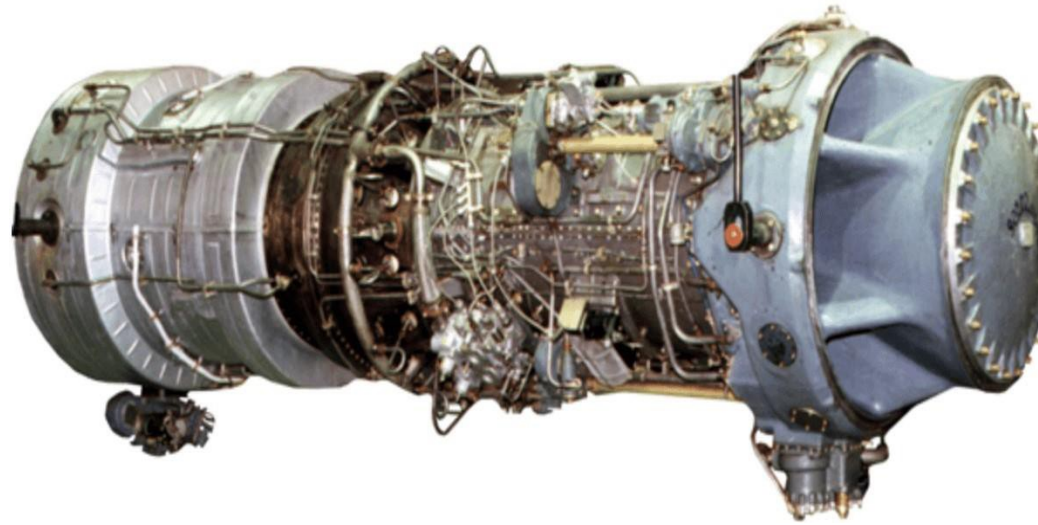
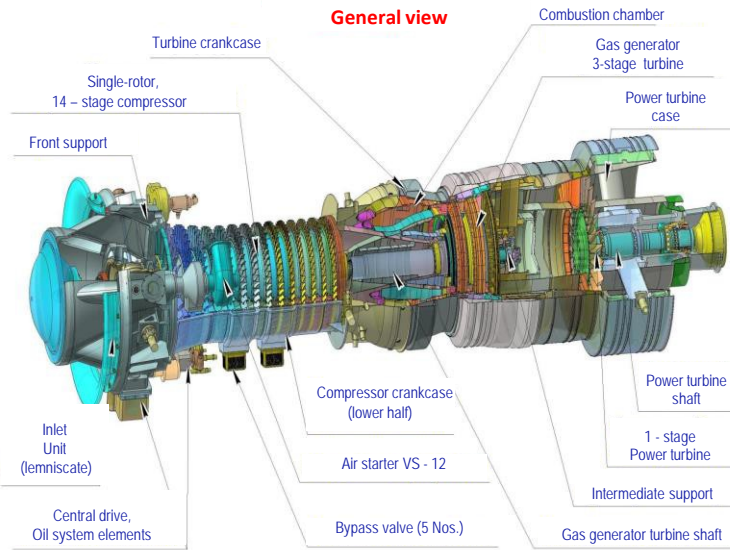
The range of GTE, undergoing repair in LLC MC IED – Holding and promising areas



LM-6000

The range of GTE, undergoing repair in LLC MC IED – Holding and promising areas

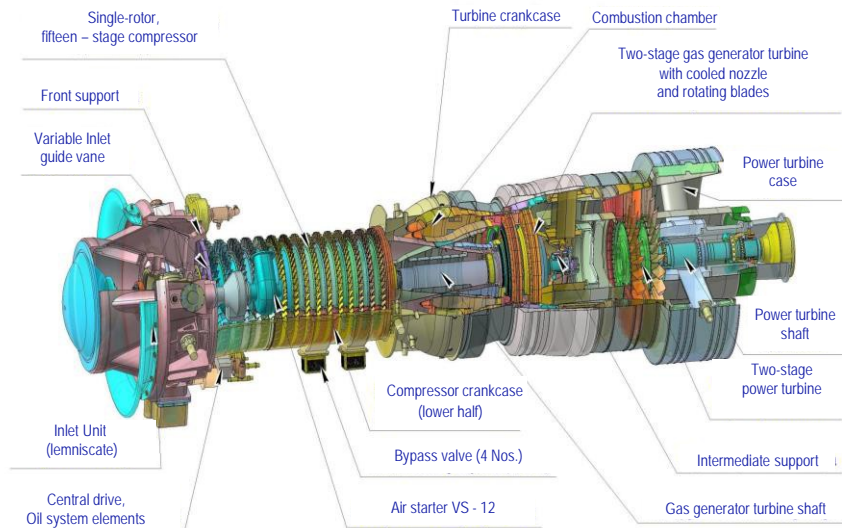
NK – 12ST motor General view



NK-12ST

The range of GTE, undergoing repair in LLC MC IED – Holding and promising areas

NK - 14ST motor



NK-14ST

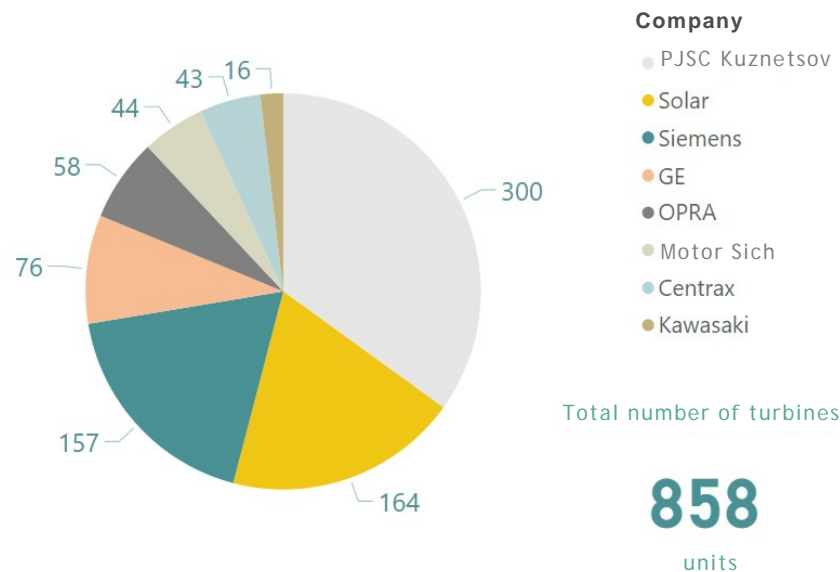
The range of GTE, undergoing repair in LLC MC IED – Holding and promising areas

No.	Services list	Customer	Period
1	Overhaul of Taurus 60 gas turbine engine and gearbox with the provision of a replacement engine	OJSC LUKOIL-AIK, Khanty - Mansiysk autonomous area - Yugra, city of Kogalym, Mira street, bld. 23	May - October 2023
2	Level IV maintenance of two Taurus - 60 gas turbine units	Republican Unitary Enterprise, Production Enterprise Belorusneft, Rechitsa	February - December 2023
3	Repair of products included in the gas turbine engine "Centaur" T-4702, for the JSC "Gazenergoservice" needs	JSC Gazenergoservis, Moscow, Obruchevsky Municipal District, Profsoyuznaya street, 56	October 2022- March 2023
4	Fault detection and overhaul of a gas turbine engine Siemens SGT-300	OJSC Belaruskalii	August 2022- April 2023
5	Fault detection and overhaul of a gas turbine engine MAN THM 1304	JSC Intergas Central Asia, LLC Nursai Energy	October 2022- February 2023
6	Fault detection and overhaul of a gas turbine engine LM 6000	OJSC DGK, Vostochnaya CHPP	August 2022 - July 2024
7	Service maintenance (level B inspection) of TBM Taurus 70 gas turbine engine and booster compressor station ZKR 163M Nove Energo	OJSC "Belaruskalii	October - November 2022
8	Services for the analysis of the technical condition of two complete gas turbines Taurus 60 Gas SoLoNox	Republican Unitary Enterprise, Production Enterprise Belorusneft, Rechitsa	September - October 2022
9	Technical re-equipping of the gas turbine unit of Zheleznodorozhny district CHPP in terms of modernization of the gas consumption network No.4, stage No.1 - GTU Taurus 60S No. 3,4	JSC Mosoblenergogaz	2021 - December 2022
10	Overhaul of gas turbine engines in the amount of 11 units, grades NK-12ST and NK-14ST, Gas producing company Turkmengaz	GC Turkmengaz, Turkmenistan, Ashgabat	2021-2022

No.	Services list	Customer	Period
11	Construction and maintenance of a thermal power plant in Yelabuga GTU-TPP 20 MW: Development of project documentation; Supply and installation of four gas turbine units WT 7301S-G Taurus 60, two Energaz booster compressor stations, one point of gas preparation and auxiliary equipment; Development and implementation of an automated process control system; Commissioning works.	Russian Federation, Republic of Tatarstan, Yelabuga, KER-Generation LLC	2017-2020
12	Overhaul of 6 gas turbine units THM 1304-10 with removal to the KamEnergoRemont production base of Nizhnekamsk city (manufactured by ManDiesel & Turbo) at Korpejsky gas field management GC "Turkmennebit» of Balkan province of Turkmenistan	GC Turkmenneft Compressor station of the Korpeje field	2014-2021
13	Overhaul of three GE production turbines with a capacity of 25 MW (replacement of the hot part of the gas generator (combustion chamber, rotating and nozzle blades of the turbine)	OJSC Nizhnekamskneftekhim	2013-2018
14	Installation of 3 units, commissioning, integration of automated process control systems with GE PGT-20 turbines, training of personnel at the gas compressor station "Keymir»	GC Turkmenneft Gas Lift Compressor Station Keymir	2013-2015
15	Construction of CCGT 220 MW on a turnkey basis at Kazan CHPP-2: Development of project documentation; Reconstruction of existing production facilities; Supply and installation of two 6FA GE gas turbine units with a capacity of 77 MW each, two waste EMAlliance heat boilers, two T-26 KTZ steam turbines, two electric generators, two Atlas Copco booster compressor stations and auxiliary equipment, including a fan evaporative cooling tower ACS 12/16-2SPR; Development and implementation of an automated process control system; Commissioning works. (EPC contract)	OJSC "Generation Company" Kazan, Salimzhanova st., 1	2011-2014

Company	Model	Quantity	Power, MW
Solar	Centaur 40	40	3.5-4
	Taurus 60	42	4.8-5.6
	Taurus 70	17	8
	Titan 130	46	15-17
	Mars 100	19	11-13
Siemens	SGT-600	17	24.5-25.5
	Dresser Rand KG2-3E	5	1.8-2.3
	SGT-400	19	12.9
	Trent 60	9	53
	SGT-100	23	5
	SGT-300	26	7.3
	SGT-800	42	50
	SGT-A35 (Industrial RB211)	5	27.6
	SGT-700	11	30
GE	LM6000	39	45
	LM2500	10	29
	MS-5001	16	25
	Frame 6	11	78
Kawasaki	M1A-17D	9	1.7
	GPB 70	7	7
Centrax	CX501-KB7	43	5.5
OPRA	DTG-1,8/2GL	58	2
OPRA	DTG-1,8/2GL	58	2
Motor Sich	D-336(AI-20)	44	6.3
PJSC Kuznetsov	NK-12ST (14ST)	more than 300	8
MAN Turbo	MAN THM1304	16	5-8

- Mastered range





LLC «MC «IED-Holding»

45, Voskhod Str., 420036,
Kazan, Republic of Tatarstan, Russia

General Director - ILDAR Sahabiev



+7 (843) 572-09-99



office@ker-holding.ru

THANK YOU
FOR YOUR
ATTENTION !

